

MFR

Powerful, scalable single module data acquisition solution.



- Individual recording channel configuration - 1 to 200Hz
- Better resolution - 10 bit analogue/16 bit digital inputs
- More sensor inputs - Up to 45, 15 built-in
- Built-in 3-axis +/-6g g-sensor
- Built-in CAN ECU link

Stack's powerful data recording system consists of a single multi-function module containing hardware already installed to provide a wide variety of data acquisition functions. Use with Stack's powerful but easy-to-use DataPro data analysis software for a flexible and customised remote data solution.



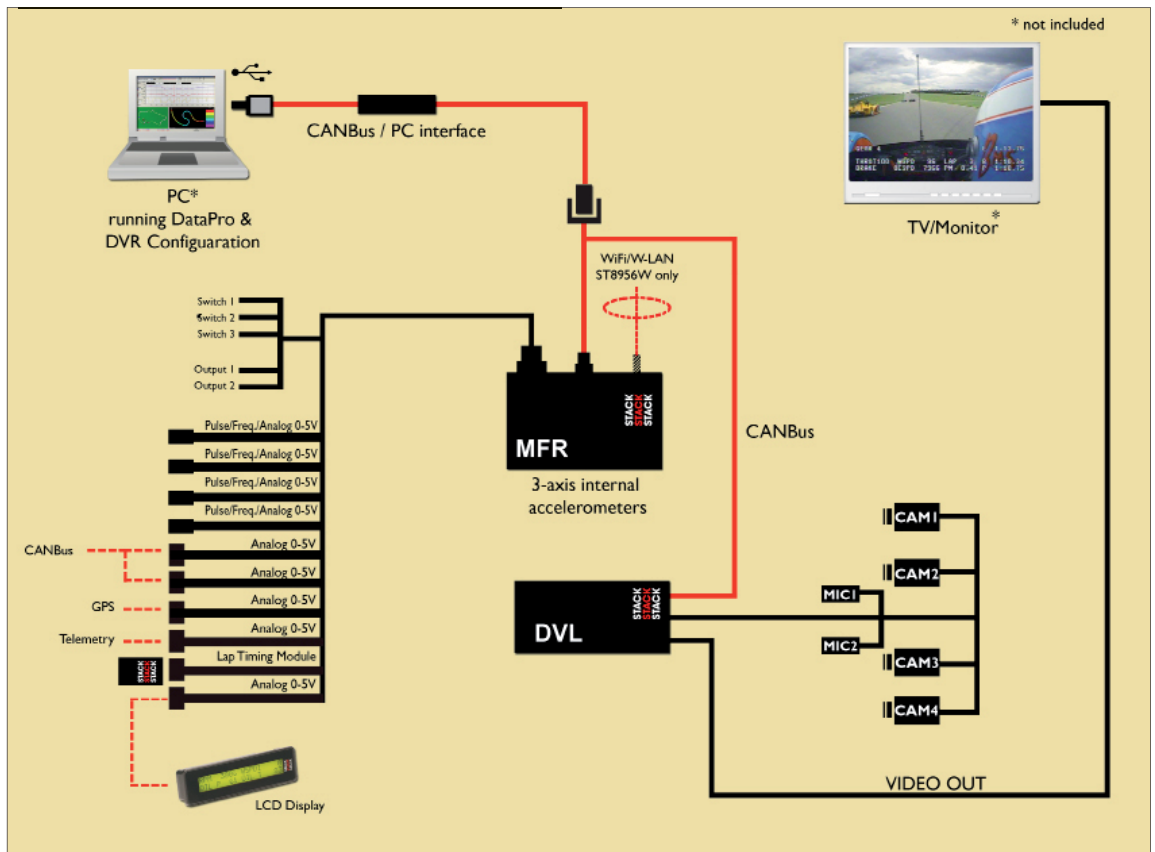
WiFi (W-LAN Download)

Enjoy the power and convenience of wireless data acquisition!

The STACK WiFi (W-LAN) feature enables the transfer of recorded data to a PC, as well as wireless configuration of the system.

The connection works on the 802.11b/g standard and depending on the antenna has a range of up to 100 metres.

Multi-Function Recorder



ST8956S / ST8956W WiFi MFR Multi-Function Recorder

| | Clubman | ClubmanPlus | Semi-Pro | Pro |
|---|---------|-------------|---|------|
| DATA RECORDING | | | | |
| Number of recording channels | 14 | 24 | 34 | 45 |
| Maximum Sample Rate (Hz) | 200 | 200 | 200 | 200 |
| Individual sample rate on each channel | ✓ | ✓ | ✓ | ✓ |
| Total Recorder samples per second | 4000 | 4000 | 4000 | 4000 |
| No of channels @ max. sampling rate | 20 | 20 | 20 | 20 |
| Standard memory size (MB) | 32MB | 32MB | 32MB | 32MB |
| DATA DOWNLOAD OPTIONS | | | | |
| System Configuration by direct connection to PC USB Port | | | ✓ | |
| Data Download by direct connection to PC USB Port | | | ✓ | |
| Data Download over Wi-Fi (W-LAN) Wireless Network | | | ✓ | |
| Wi-Fi (W-LAN) Compatibility (ST8956W only) | | | 802.11b/g | |
| Maximum Wireless Download Range (subject to antennae) (ST8956W only) | | | 100m / 300ft | |
| Auto-Alarms on downloaded data | | | Option | |
| Multicar Wi-Fi Auto-download Server | | | Option | |
| SENSOR INPUT OPTIONS | | | | |
| Total no of standard input channels | | | 15 | |
| Maximum no of input channels supported | | | 45 | |
| Pulse (<3kHz) or 0-5 Volt analogue (10 bit) or thermocouple (using DSP interface) | | | 4 | |
| 0-5 Volt analogue (10 bit resolution) | | | 6 | |
| Internal accelerometers | | | 3 Axis +/- 6g (Lateral/Longitudinal/Vertical) | |
| Lap timing input | | | ✓ | |
| Battery Voltage input channel | | | ✓ | |
| Sensor harness with 19 pin MIL-STD connector | | | ✓ | |
| Control switch inputs & outputs | | | 3 & 2 | |
| CAN interface, e.g. ECU (1 stream, 40 channels) (Up to 3 CAN interface max) | | | Option | |
| GPS interface (1 stream, 16 channels) | | | Option | |
| Telemetry interface (supports radio modems or GSM cellular modems) | | | Option | |
| DISPLAY FEATURE OPTIONS | | | | |
| Multi-parameter Backlit LCD display | | | Option | |
| Multi-parameter LED Steering Wheel Display | | | Option | |
| Lap time readout | | | Option | |
| Peak value tell-tales | | | Option | |
| Configurable display layout | | | Option | |
| Configurable Warning Alarms on external Alarm Light | | | ✓ (Plus alarm messages with Option) | |
| Preconfigured display setup library | | | Option | |
| Shift light external (single stage) | | | Option | |
| Shift light external (sequential 5-stage) | | | Option | |
| Predictive Lap Time and Performance Meter Displays | | | Option | |
| Brake Bias Display (requires 2 x brake pressure sensors on network) | | | Option | |
| VIDEO INTERFACE OPTIONS | | | | |
| Synchronized Video Support | | | Option | |
| Synchronized Video Compare | | | Option | |
| Video Data Overlay Support | | | Option | |
| Performance Meter and Predictive Lap Time Displays on Video Overlay | | | Option | |
| Max No. of Video Overlay Display channels | | | 20 | |
| Configurable Alarms on Video Data Overlay | | | Option | |
| Peak Value Recall on Video Data Overlay | | | Option | |
| Auto Camcorder Control (LAN-C) | | | Option | |
| SENSOR INPUT EXPANSION OPTIONS | | | | |
| Additional 10 Input 'MF' Multi-Function Expansion Module | | | Option | |
| Additional 20 Input 'MF2' Multi-Function Expansion Module | | | Option | |
| Additional 8 Universal configurable sensor inputs (Expansion 'E' modules) | | | Option | |
| 2nd CAN ECU Interface on 'MF' or 'MF2' module | | | Option | |
| Network Expansion Harness (required for more than one expansion module) | | | Option | |
| ANALYSIS SOFTWARE | | | | |
| DataPro V5 "Standard Edition" (MS Windows XP & Vista Compatible) | | | ✓ | |
| DataPro V5 "Semi-Pro Edition" (includes Rainbow Maps, User Sensor Manager) | | | Option | |
| DataPro V5 "Pro Edition" (as "Semi-Pro" plus Maths Package) | | | Option | |
| Logbook - User-configurable with full search functions | | | ✓ | |